



3002911/04

INSTALLER'S AND OWNER'S GUIDE

For

Accolade



Electric Heater
Model 806

We trust that this Guide gives sufficient details to enable the appliance to be installed and maintained satisfactorily. However, if further information is required, our **Valor Technical Helpline** will be pleased to help.

Please telephone 08706 061 065 (National call rates apply in the United Kingdom).

KEEP IN A SAFE PLACE FOR FUTURE REFERENCE

INSTALLER'S AND OWNER'S GUIDE

CUSTOMER CARE

All our heaters are designed to meet the most stringent quality, performance and safety requirements to provide our customers with many years of trouble free service. This guide aims to improve your understanding and appreciation of your new heater, by providing simple and informative instructions to enable you to install it and to ensure that you benefit from the excellent performance and features it has to offer.

IMPORTANT SAFETY INSTRUCTIONS

It is important that the following safety instructions are followed

Always

- **Always** install the heater in accordance with the instructions, if in doubt obtain expert advice.
- **Always** make sure the electrical socket is accessible and located adjacent to, but not above the heater.
- **Always** disconnect the heater from the electrical supply before carrying out cleaning, maintenance or replacing lamps.
- **Always** make sure the heater is firmly fixed to prevent the fire from being tipped over.
- **Always** use a fireguard when young children and infirm persons can come into contact with the heater.
- **Always** use genuine spares.

Never

- **Never** leave children unsupervised in a room where the heater is on and unguarded.
- **Never** allow children to play with the decorative pebbles supplied with this heater
- **Never** obstruct or cover the fan outlet or force items into heater openings.
- **Never** install or use the heater anywhere where water is in use, i.e. bathrooms, shower rooms etc.
- **Never** use aerosols or steam cleaners on or around the heater.
- **Never** route the mains supply cable under carpet etc.
- **Never** install the heater close to curtains or combustible materials.
- **Never** use the heater to dry clothes etc.

INSTALLER'S AND OWNER'S GUIDE

INSTALLATION

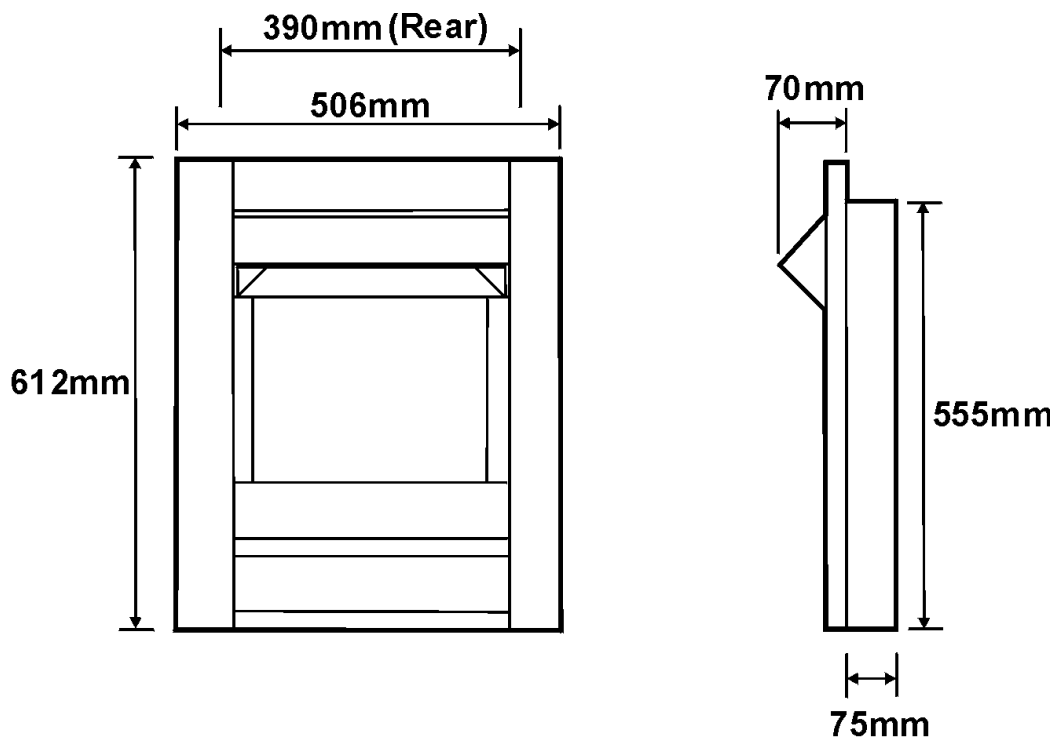


Figure 1. Appliance Dimensions

Location

This heater is intended for use in a fireplace opening generally conforming to British Standard 1251 for a nominal 400mm (16 inch) or 450mm (18 inch) Fireplace. It may also be located in other fireplace openings or in a wooden surround, where the following dimensions are available.

Width	390 – 450mm
Height	555 – 590mm
Depth	At least 75mm

Alternatively the heater can be fitted to a flat wall or surround using the spacer frame provided.

Installing

The heater must be fixed into position to prevent it from being tipped over.

The following fixing options are available: -

- Screw fixing
- Wire fixing
- Spacer frame

The parts required for the above fixing options are included with this appliance.

INSTALLER'S AND OWNER'S GUIDE

The heater must not be located under a fixed electrical socket, the socket must always be accessible in order to disconnect the heater from the electrical supply for maintenance or when replacing a lamp.

- **Important! This appliance must be earthed.**
- This heater is supplied with a 3 pin 13A fused rewirable plug with a 1mm² 3 core mains flex.
- If the plug is not suitable for your socket, remove the plug and fit an appropriate plug. **If in doubt, consult a qualified electrician.**
- The wires in the mains lead are coloured in accordance with the following code: -

Green & Yellow = Earth
Blue = Neutral
Brown = Live

As the colours of the wires in the mains lead may not correspond with the coloured markings identifying the terminals in your plug, fit the wires as follows: -

The wire which is coloured **Green & Yellow** must be connected to the terminal in the plug which is marked with the letter **E** or by the earth symbol \perp or coloured **Green** or **Green & Yellow**.

The wire which is coloured **Blue** must be connected to the terminal which is marked with the letter **N** or coloured **Black**.

The wire which is coloured **Brown** must be connected to the terminal which is marked with the letter **L** or coloured **Red**.

If the mains cable is damaged then, for your safety, it must be replaced with an approved cable by your authorised service agent or a qualified electrician.

The mains cable must be safely routed from the heater to an electrical socket. Provision is made for left/right or rear cable entry, using one of the three cable guides at the base of the heater. To relocate, open the appropriate latch on the cable guide and refit the mains cable into the required position.

INSTALLER'S AND OWNER'S GUIDE

The heater body should be fixed in position before the front surround is finally fitted.

Please study the illustrations carefully to avoid damage to the heater.

Front Removal

Four very strong magnets retain the front surround (Two on the top rail and one on each of the vertical legs).

Carefully separate the front surround from the heater. Keep the front surround in a safe place when installing the fire.

Offer the heater body to the fireplace opening to ensure that it will fit before continuing with the installation.

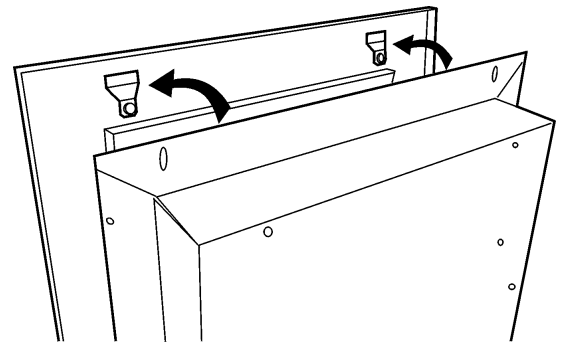


Figure 2.

Appliance Fixing

Method A – Screw Fix

There are two slots in the top flange (See figure 3).

Mark the fixing position through the slots.

Remove the heater. Drill a hole with a No.12 drill bit at each marked position. Insert the wall plugs provided.

Reposition the heater body and screw through the slots to provide a secure fixing.

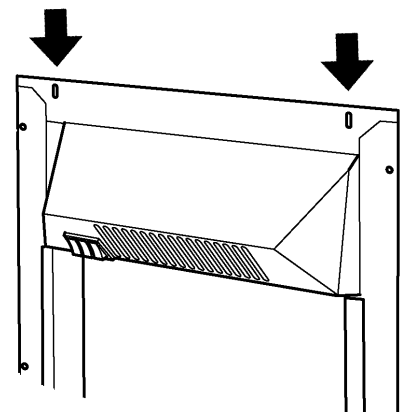


Figure 3.

INSTALLER'S AND OWNER'S GUIDE

Method B – Wire Fix

The fixing kit includes a steel wire and eyebolt to attach the heater to the back of the fireplace opening.

Mark the position for the eyebolt at the back of the fireplace opening equal to the centre line of the heater and at a height of 533 – 560mm. Drill, plug and screw in the eyebolt (See figure 4).

Thread one end of the steel wire through the two holes in the top flange, passing the wire through the eyebolt and out through one of the opposite holes on the top flange (See figure 4).

Locate the heater into the fireplace opening, then by gently pulling the steel wire, gather up the excess until the heater is firm.

Thread the wire back through the remaining hole to lock the wire and heater in place (See figure 4).

To prevent damage, when fixing through marble, ensure that both the wallplug and screw pass freely through the marble.

Secondary Screw fixing

If felt beneficial, the appliance can be additionally secured by screws through the side flanges (See figure 5).

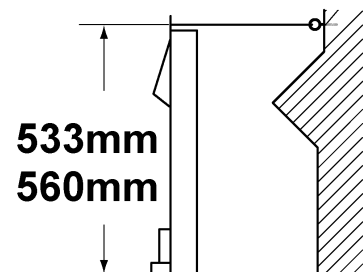
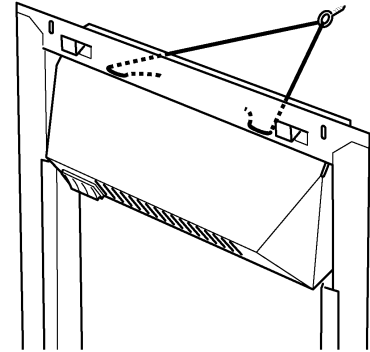


Figure 4.

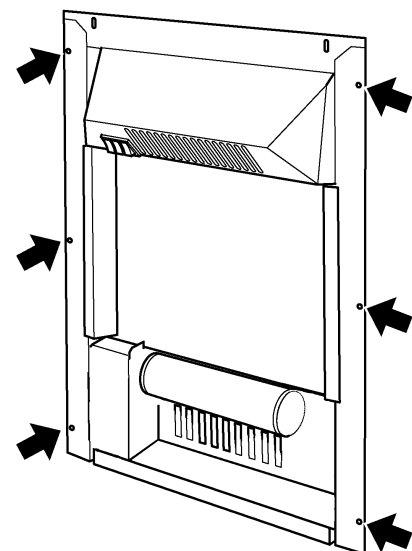


Figure 5.

INSTALLER'S AND OWNER'S GUIDE

Spacer Frame

See figure 6.

Supplied with the heater is a 75mm spacer frame. This can be used in installations where there isn't a fireplace opening or where there is no or insufficient space behind a fire surround.

- Mark the position of the fixing brackets on the spacer frame.
- Drill pilot holes in the marked position. Take care not to drill right through the spacer frame.
- Screw the brackets to the spacer frame.
- Place the spacer frame in the desired position against the wall. Mark the fixing positions through the holes in the brackets.
- Drill 3 holes in the wall and fit the rawlplugs.
- Screw the spacer to the wall.
- Position the heater in front of the spacer frame. Mark the position of four fixing holes as in figure 7. Drill pilot holes in the spacer frame. Screw the heater to the spacer frame as in figure 7.

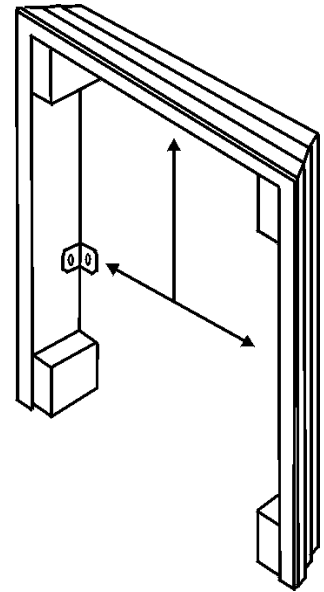


Figure 6.

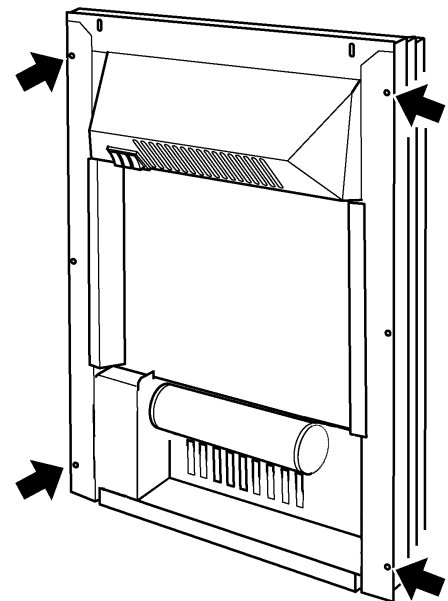


Figure 7.

INSTALLER'S AND OWNER'S GUIDE

Fitting the Front

Before fitting the front surround, make sure that the compact fluorescent lamp is fitted into the lamp holder and that the plastic shroud, (which is fitted over the lamp) is rotated to give the preferred colour effect

Locate the magnets onto the four metal tabs on the rear of the front surround. Carefully place the front surround onto the heater body. (See figure 8).

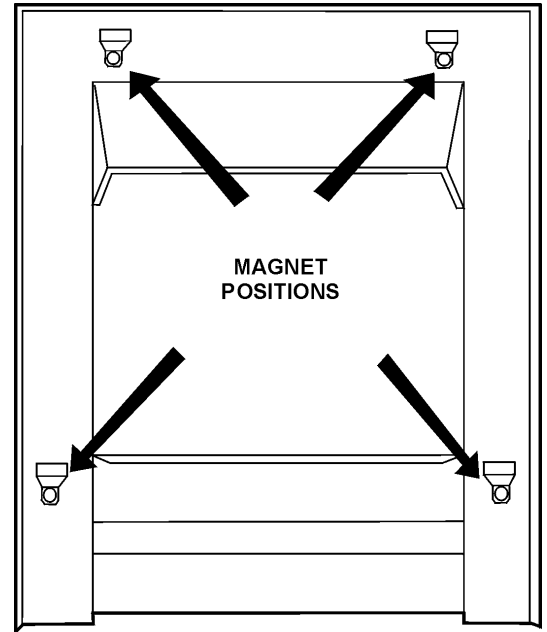


Figure 8.

Fuel Effects

The heater can be used with or without the decorative glass pebbles, if required open the polythene bag containing the loose glass pebbles and place them on the fuel support to give the most pleasing effect. It is not necessary to use all the glass pebbles supplied.


IMPORTANT

The glass pebbles are for decorative use only. There is a Choke risk for young children. Make sure that young children can not gain access to the glass pebbles.

OPERATING YOUR HEATER

Never cover the heater - there is a risk of fire if covered.

The heater is operated by three switches located below the canopy.

Switch 1 =  Main On – Off
In the On position only the fuel effect light operates

Switch 2 =  1 kW fan heat setting and fuel effect

Switch 3 =  2 kW fan heat setting and fuel effect

The switches are mechanically interlocked, so when switch 1 is turned off, all switches turn off.

INSTALLER'S AND OWNER'S GUIDE

MAINTAINING YOUR FIRE

Always disconnect the heater from the electricity supply by removing the 3 pin plug and allowing the heater to cool before undertaking maintenance or replacing lamps.

Lamp Replacement

The lamp fitted to this heater is a long life type, but due to the indeterminate life span and ease of replacement are specifically excluded from the guarantee.

To replace a lamp.

Remove the loose glass pebbles. Carefully remove the front surround by pulling the surround off the strong magnets.

Slide the coloured lamp shroud off the lamp

Replace with an 18 –20 W E27 Edison screw “Philips Ecotone” Compact Fluorescent Lamp. Do not fit any other type of lamp.

Replace the shroud.

Relocate the magnets as in figure 8, fit the surround and rearrange the glass pebbles.

Automatic Cut Out

A cut out is fitted to the heating element to prevent damage due to over heating. If it operates due to an obstruction in the airflow, the heater must be turned off, unplugged from the mains socket and allowed to cool for 15 minutes with the obstruction removed.

Care and Cleaning

The canopy trims and glass parts need only to be wiped clean with a dry soft cloth, do not use polishes or abrasive materials.

Fault Finding

No light from the fuel effect: Possibly due to a lamp failure. Remove the lamp as detailed above and check it in a table lamp that is known to work.

No heat or light: Check the wall socket by plugging in a known working appliance. If functional check the 13A fuse in the heater plug.

Light but no heat: The automatic cut out may have operated, see above.

Disposal

At the end of the products serviceable life it should be disposed of thoughtfully and safely in accordance with local authority regulations. The plug should be removed from the mains cable. We suggest that you cut the mains cable from the heater to prevent any future unsafe use of the appliance.

INSTALLER'S AND OWNER'S GUIDE

Valor Technical Helpline

If you require any further assistance please call the **Valor Technical Helpline** on **08706 061 065**

To help us quickly help you, please try to have the following information available before you contact us.

Your Post Code

Type of Fire

Model / Name

The fault, problem or request

Serial Number

– This is located behind the fire front surround

USEFULL TELEPHONE NUMBERS

General advice about gas and your gas fire:

VALOR TECHNICAL HELPLINE 08706 061 065.

To report faults or arrange for your fire to be serviced:

VALOR SERVICE 08706 090 081.

For sales or product information:

VALOR SALES 08706 061 067.

To order spares

VALOR SPARES 08706 000 454

CALLERS IN THE REPUBLIC OF IRELAND

Call 0044 08706 061 065

Valor Heating, Wood Lane, Erdington, Birmingham, B24 9QP